

JHB: 011 397 6390
infojhb@assc.co.za

AIR SPRING SUPPLY COMPANY

DBN: 031 205 2293
infodbn@assc.co.za



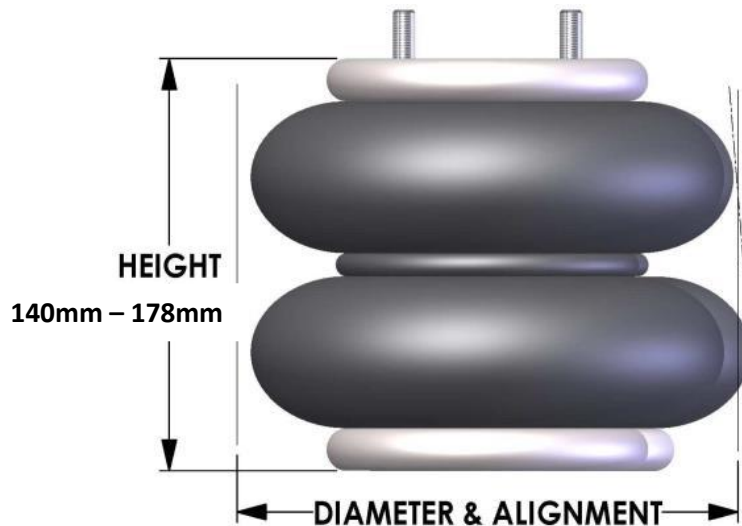
South African Sole Distributor for the FIRESTONE INDUSTRIAL PRODUCTS COMPANY

VISIT US @ www.assc.co.za



AIR SPRING OPERATING HEIGHT AND ALIGNMENT

224C AIR SPRING (2139, 2435)



AIR SPRING HEIGHT AND ALIGNMENT

The air spring must be checked for the correct installed height, vertical alignment and clearances with the vehicle levelled out.

Inflate the air springs until the vehicle is at a level height and measure the air springs height between the mounting plates.

The **224C** air spring in this kit requires a height of **140mm to 178mm** to be maintained under all loads.

It is important to make sure that the air spring does not make contact with any components in all load and height conditions.

If the centreline of the air spring end plates are misaligned in any direction more than the amount shown above, please contact Air Spring Supply Company on **JHB Branch 0113976390/DBN Branch 0312052293** for any technical support.

TO FINISH

Stick the supplied operating height & air pressure sticker in a position that is in sight of the vehicle operator.

Make sure to give the owner/operator his copy of the Operation Manual and Warranty registration form that will have to be filled in by the customer and emailed to infodbn@assc.co.za or infojhb@assc.co.za to activate the warranty.

Please make sure the vehicle owner/operator understands how to use the product correctly.

